

CLARKE®



DEVIL QUARTZ HALOGEN HEATER

MODEL NO: DEVIL 370SPC

PART NO: 6926013

OPERATING & MAINTENANCE INSTRUCTIONS



ORIGINAL INSTRUCTIONS

GC1119 ISS3

INTRODUCTION

Thank you for purchasing this CLARKE Quartz Halogen Heater.

Before attempting to use this product, please read this manual thoroughly and follow the instructions carefully. In doing so you will ensure the safety of yourself and that of others around you, and you can look forward to your purchase giving you long and satisfactory service.

SPECIFICATIONS

Model Number	Devil 370SPC
Part Number	6926013
Weight	14 kg
Dimensions (LxWxH)	610 x 620 x 790 mm
Wattage	2.8 kW
Amperage	12.17 A
Supply Voltage	230 V/50 Hz
Fuse Rating	13 A
Insulation Class	IP20
Max Heat Output	2.8 kW
Duty cycle	Continuous

GUARANTEE

This product is guaranteed against faulty manufacture for a period of 12 months from the date of purchase. Please keep your receipt which will be required as proof of purchase.

This guarantee is invalid if the product is found to have been abused or tampered with in any way, or not used for the purpose for which it was intended.

Faulty goods should be returned to their place of purchase, no product can be returned to us without prior permission.

This guarantee does not effect your statutory rights.

THE FOLLOWING TABLE ADDRESSES THE INFORMATION REQUIREMENTS OF REG.2015/1188

Item	Symbol	Value	Unit
Heat output			
Measured seasonal space heating energy efficiency			36%
Nominal heat output	P_{nom}	3.0	kW
Minimum heat output (indicative)	P_{min}	1.5	kW
Maximum continuous heat output	P_{max}	3.0	kW
Auxiliary electricity consumption			
At nominal heat output	eI_{max}	n/a	kW
At minimum heat output	eI_{min}	n/a	kW
In standby mode	eI_{SB}	0	kW
Type of heat input for electric storage local heaters only			
Manual heat charge control with integrated thermostat			No
Manual heat charge control with room and/or outdoor temperature feedback			No
Electronic heat charge control with room and/or outdoor temperature feedback			No
Fan assisted output			No
Type of heat output/room temperature control (select one)			
Single stage heat output, no temperature control			No
Two or more manual stages, no temperature control			Yes
With mechanical thermostat temp control			No
With electronic temperature control			No
Electronic temperature control with day timer			No
Electronic temperature control with week timer			No
Other control options (multiple selections possible)			
Room temperature control with presence detection			No
Room temperature control with open window detection			No
Room temperature control with distance control option			Yes
Room temperature control with adaptive start control			No
Room temperature control with working time limitation			No
Room temperature control with black bulb sensor			No

GENERAL SAFETY RULES

1. These heaters are for INDOOR USE ONLY.
2. DO NOT expose the heater or power cable to rain or wet conditions. Any water entering the heater will increase the risk of electric shock. DO NOT use this heater in a bathroom, shower room or any other wet environment.
3. NEVER locate the heater near combustible materials such as curtains, furniture etc. Allow at least 1 metre distance.
4. DO NOT locate the heater close to an adjacent wall or low ceiling. Allow a distance of at least 1 metre from a wall or ceiling. Avoid placing the heater directly below power socket outlets.
5. Take care to ensure that the wire guard cannot be covered.
6. DO NOT operate heater in explosive atmospheres such as in the presence of flammable liquids, gases or dust such as in a paint spray booth or any explosive environment.
7. NEVER stand the heater on a movable vehicle where it could tip over.
8. DO NOT allow the halogen tubes to become covered with dust which could become a fire hazard. If used in a dusty workplace the heater should be cleaned as described under Cleaning and Maintenance.
9. NEVER touch the halogen tubes for at least 15 minutes after switching off.
10. DO NOT leave the heater unattended.



11. If children are present always use with a fireguard.
12. Store the heater out of the reach of children and do not allow persons unfamiliar with these instructions to operate it.
13. Use ONLY in an upright position.
14. ALWAYS manoeuvre the heater using the handles provided and avoid trapping the fingers between the handle and the heater body.
15. NEVER leave the heater unattended while in use. Turn off at night if unattended.

ELECTRICAL SAFETY

1. Electrical appliances must match the power outlet. Never modify the plug in any way. Do not use adaptor plugs with earthed (grounded) appliances. Correct plugs and outlets will reduce the risk of electric shock.
2. Do not use this product with an extension cable.


3. DO NOT abuse the electrical cable. Never use the cable for pulling or unplugging the heater. Keep the cable away from sources of heat, oil, sharp edges or moving parts. Damaged or tangled cables increase the risk of electric shock.
4. Keep the power cable well away from machines and ensure an adequate electrical supply is close at hand so that the operation is not restricted by the length of the cable.
5. ALWAYS disconnect from the power supply before moving the heater or performing any cleaning or maintenance tasks.
6. Inspect the power cable regularly for signs of damage. DO NOT use if it is damaged, and ALWAYS keep it away from the source of heat.
7. Check the heater for damage before use. DO NOT use if the heater tubes are damaged or broken. Any damage should be properly repaired or the part replaced. If in doubt, **DO NOT** use. Consult your local Clarke dealer.

SERVICE & REPAIRS

1. If necessary, have your heater repaired by a qualified person using identical replacement parts. This will ensure that the safety of the product is maintained.

Please keep these instructions in a safe place for future reference.

ENVIRONMENTAL RECYCLING POLICY

Through purchase of this product , the customer is taking on the obligation to deal with the WEEE in accordance with the WEEE regulations in relation to the treatment, recycling & recovery and environmentally sound disposal of the WEEE.

In effect, this means that this product must not be disposed of with general household waste. It must be disposed of according to the laws governing Waste Electrical and Electronic Equipment (WEEE) at a recognised disposal facility.

ELECTRICAL CONNECTIONS



WARNING: READ THESE ELECTRICAL SAFETY INSTRUCTIONS THOROUGHLY BEFORE CONNECTING THE PRODUCT TO THE POWER SUPPLY.

The 230v models are provided with a 13 amp BS 1363 plug, fitted with a 13amp fuse and MUST be connected to a standard, 230 Volt (50Hz) electrical supply, preferably through a suitably fused isolator switch.

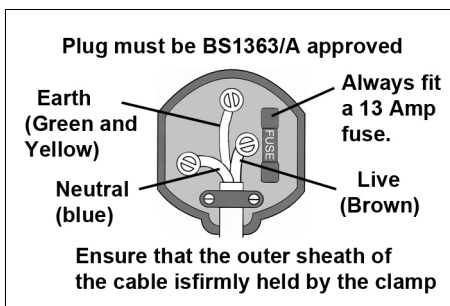
If the plug has to be changed because it is not suitable for your socket or because of damage, it must be removed and a replacement fitted, following the wiring instructions shown below. The old plug must be discarded safely as insertion into a power socket could cause an electrical hazard.



**WARNING: THE WIRES IN THE POWER CABLE OF THIS PRODUCT ARE COLOURED IN ACCORDANCE WITH THE FOLLOWING CODE:
BLUE = NEUTRAL BROWN = LIVE YELLOW AND GREEN = EARTH.**

The wires in the mains lead should be wired up in accordance with the following colour code:

- Connect the GREEN & YELLOW wire to the plug terminal marked with a letter E or
- Connect the BROWN wire to the plug terminal marked a letter "L".
- Connect the BLUE wire to the plug terminal marked a letter "N".



The fuse in the plug must be replaced with one of the same rating and this replacement must be ASTA approved to BS1362.

We strongly recommend that this machine is connected to the mains supply via a Residual Current Device (RCD).

If in any doubt, consult a qualified electrician. DO NOT attempt any electrical repairs yourself.

UNPACKING AND ASSEMBLY

UNPACKING

When unpacking, please check contents against the following list and advise your dealer immediately if any parts are missing.

1 x Heater

2 x Handles

1 x Fixings pack

1 x Lower frame

2 x Halogen tubes

1 x Remote control unit

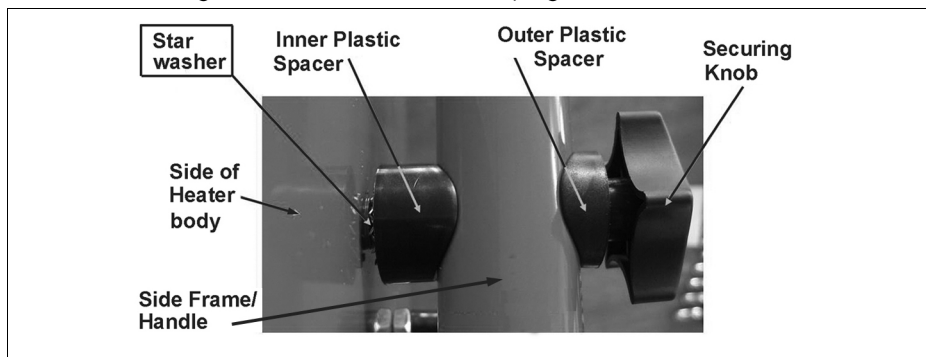
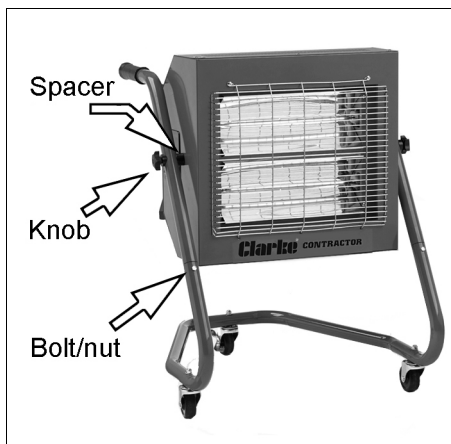
ASSEMBLY

1. Bolt the handles to the lower frame using the two loose bolts & locknuts noting the orientation of the handles.
2. Lay the heater face down and attach the complete frame to the heater body using the securing knobs and the spacers located either side of the frame tubing.

Note the order of assembly of the handles to each side of the heater as shown below, with particular reference to the position of the star washer which must be fitted against the body of the heater.

The star washer will enable the heater to remain tilted at your chosen angle.

3. Fit the halogen tubes as described on page 11.



OPERATION



WARNING: FOR SAFE OPERATION OF THIS HEATER IT IS ESSENTIAL TO READ THESE INSTRUCTIONS BEFORE USE.

USING THE REMOTE CONTROL

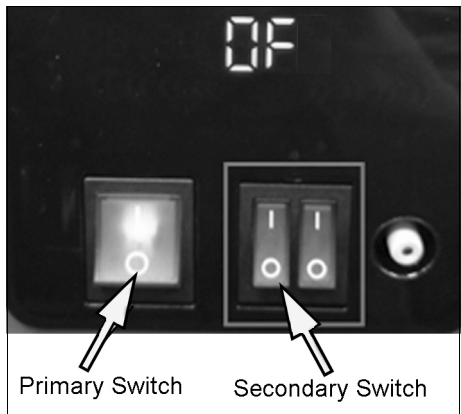
All operations must be done using the remote control.

- 2 x AAA batteries are required and are installed as shown by the diagram found inside the remote control unit.
- The remote control must be directed at the heater display panel. It has a range of approx 2.5 metres and must be aimed at the correct angle.



MANUAL OPERATION

1. Position the heater where required, and lock the rear castor to prevent the heater from moving. Always move the heater using the handles.
2. Slacken the locking knobs and rotate the heater body to the required angle. Tighten the securing knobs on each side to lock into place.
3. Connect the power cable to a suitable power supply.
 - The heater is equipped with an anti-tilt switch that automatically cuts the power off should the heater tip over. If this happens, stand the heater upright and it will immediately re-set.



NOTE: The angle of tilt **MUST NOT** exceed 45 degrees downwards, as this could lead to the heater over-heating. **NEVER** position the heater pointing downwards.

4. Switch on the power at the primary switch.
 - The neon indicator will illuminate.
5. Set one or both secondary switches to the I (On) position as required.
 - The left one controls the upper heating element and the right one controls the lower.
6. Press the ON/OFF button on the remote control to switch the elements on.
 - The secondary switches will each illuminate to show that the heating element is in use.
 - The ambient room temperature will be displayed.
7. Set the target temperature by pressing the + and - arrow keys on the remote control to a value between 15°C and 45°C.



- During normal operation the bar below the temperature display pulsates to indicate that the heater is operating.
- When the heater has reached the target room temperature, the bar will become solid and the heater will automatically turn off. It will resume working when the ambient temperature falls 2°C below the target temperature.

PROGRAMMING THE TIMER

When programming, note that the selection will only remain actively displayed for approximately 10 seconds before reverting to the beginning of the process. If unsure what value you wish to enter, you can maintain the display by making constant adjustments with the +/- buttons until making your final selection.

SETTING CURRENT TIME

1. Switch the heater on with the remote control (on/off). The heating elements can be either on or off.
2. Press the TIME button.

- SUN will flash repeatedly.
3. Use the left and right arrow buttons to choose a day.
 4. Press the TIME button to go to the next step.
 - The first 2 digits (HOUR) of the time display will flash.
 5. Use the + and - buttons to scroll to the correct time (24 hr clock).
 6. Press the TIME button to set the Minutes.
 7. Use the + and - buttons to scroll to the minutes you require.
 8. Press the TIME button to finish the time and day set up.
 - The current time and day will show as a constant when the WEEK TIMER is activated.

NOTE: The Time and Day setting will be lost and will need to be reset. Once the heater is powered off completely, (either from the power switch or wall supply) Follow steps 1 to 8 to reset the clock.

THE WEEK TIMER

- The Week Timer covers a 7 day week (Monday to Sunday). You can program up to 3 individual "on/off" cycles each day.
- Each heating period can be set for a maximum of 24 hours in 10 minute increments. It is not possible for the program to span two consecutive days e.g. Monday 10pm to Tuesday 2am. If the user requires the heater to operate over the midnight period they would have to set two programs, one for Monday and one for Tuesday.
- The user can then also set two further programs for Tuesday if required.
- Always ensure that the heating elements are switched to the ON position when in Timer mode.

SETTING THE WEEK TIMER

SETTING THE DAY AND PROGRAM

1. Press the WEEK TIMER button on the remote control.
 - Monday will start to flash.
2. Press the left and right arrow keys to select the day you want your program to start and press the WEEK TIMER button to confirm.
 - Program 1 (01) will now flash.
3. Use the + and - buttons to select the program you want to set and press the WEEK TIMER button to confirm.

- The programs will be displayed as 01, 02 and 03.
 - The first two digits of the clock will flash and the word ON will be displayed.
4. Use the + and - arrow keys to select the starting hour and press the WEEK TIMER button to confirm.
 - The second set of digits will flash.
 5. Use the + and - arrow keys to select the starting minutes and press the WEEK TIMER button to confirm.
 - The display will show OF and the first two digits of the clock will flash. You can now set the time the heater will turn off.
 6. Use the + and - arrow keys to select the finishing hour and press the WEEK TIMER button to confirm.
 - The second set of digits will flash.
 7. Use the + and - arrow keys to select the finishing minutes (in increment of 10) and press the WEEK TIMER button to confirm.

SETTING FURTHER PROGRAMS

1. Repeat the above steps to program each individual program/day.

ACTIVATING THE TIMER FUNCTION

1. To activate the TIMER mode press the TIMER On/Off button.
 - The Day and Time will be shown on the display.
2. To turn the heater off press the TIMER On/Off button. The day and time will be removed from the display and only temperature will be shown.

TO CLEAR A PROGRAM

1. To clear a program press the WEEK TIMER button once scroll to the day that needs to be reset using the left and right arrows.
2. Press and hold the TIMER On/Off button for approximately 3 to 4 seconds.
 - A beep will be heard from the heater and the time for that program will show 00:00. The program is then ready to be set once again.

ECO MODE

Press the ECO button once to activate ECO mode.

- Only ambient room temperature will be displayed.
- Other lights on the display will switch off.

CLEANING & MAINTENANCE

If the heater has been used, always allow it to cool down for at least 15 minutes and disconnect from the mains supply before performing any maintenance tasks.

FITTING/ REPLACING TUBES

Before attempting to fit/replace halogen tubes, ensure the heater is switched off and disconnected from the electrical supply.

NEVER handle the heater tubes with bare hands. **ALWAYS** handle using either a soft clean glove or a piece of soft clean cloth wrapped around the tube.

1. Remove the two screws and remove the guard.
2. To remove the tube, grasp tube and gently but firmly push it to one end of the heater. The tube holders are spring loaded and will allow the tube sufficient movement to clear the opposite holder.
3. Remove the tube and dispose of it according to local regulations.
4. Fit the new halogen tubes in reverse order.
5. Replace the guard using the screws removed earlier.

The heater is now ready for use.

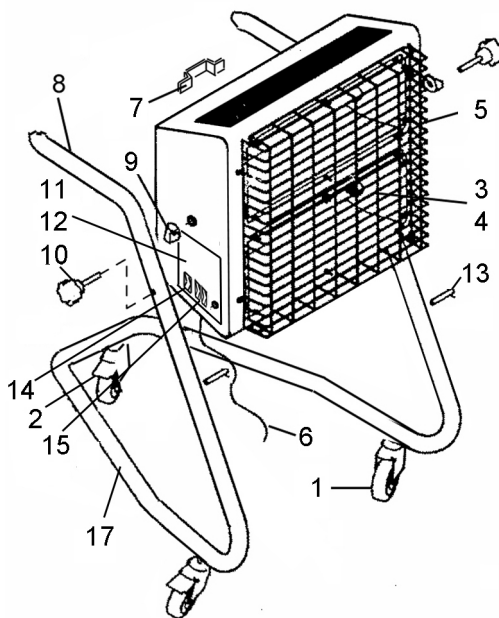
PERIODICALLY

1. If there is any substantial build up of dirt, wipe the heater body with a damp cloth. Take care that no moisture enters the heater. Take care NOT to touch the tubes with your fingers.
2. Inspect the power cable for damage. Undue heat will cause the cable to stiffen and crack. If this is found, have the cable replaced. Check cable routing and ensure it is well away from the heat source.
3. Ensure heating tubes are clear of dust (use compressed air to clean if possible. (ALWAYS wear a dust mask if performing this operation)
4. Refer to your CLARKE dealer if internal repairs are required.
5. When storing the heater, allow it to cool down, then place it in its packing box for storage in a dry, ventilated place.

FAULT FINDING

SYMPTOM	PROBLEM	SOLUTION
Heater does not operate, although plugged in and switched on.	Plug is loose/bad connection.	Remove the plug & check the connection of the plug and socket.
	Fuse blown.	Replace if necessary and investigate the cause. If fuse blow repeatedly, consult your Clarke dealer.
	No power at socket outlet.	Insert plug into a suitable socket.
	Tilt safety switch is disabling unit.	Ensure unit is upright. If switch does not re-set, consult your Clarke dealer.
Heater tube is glowing hot.	Input voltage incorrect.	Ensure power supply matches the rating on the label.
	Air supply partly obstructed.	Ensure the heater is kept away from any objects or materials which could obstruct the air supply.
Heater does not respond to remote controller.	Batteries defective.	Replace batteries.
	Controller is out of range or not pointing at the display panel.	Move closer or try different angles of pointing the controller at the heater.

PARTS DIAGRAM



No	Description
1	Castor (standard)
2	Castor with brake
3	Ceramic end cap
4	Halogen Tube
5	Wire Guard
6	Power cable
7	Handle
8	Side frame/handles
9	Inner/outer plastic spacers

No	Description
10	Securing knob
11	Control panel assembly
12	PCB control unit (not shown)
13	Bolt/locknut
14	ON/OFF switch (power)
15	ON/OFF switches (lamps)
16	Tilt safety switch (not shown)
17	Lower frame
18	Remote control unit (not shown)

DECLARATION OF CONFORMITY



Clarke[®]
INTERNATIONAL

Hemnoll Street, Epping, Essex CM16 4LG

DECLARATION OF CONFORMITY

This is an important document and should be retained.

We hereby declare that this product(s) complies with the following directive(s):

2014/30/EU *Electromagnetic Compatibility Directive.*
2014/35/EU *Low Voltage Equipment Directive.*
2011/65/EU *Restriction of Hazardous substances.*
2009/125/EC *Eco- Design Directive (EU 2015/1188).*

The following standards have been applied to the product(s):

EN 60335-2-30:2009 +A11:2012, EN 60335-1:2012 +A11:2014, EN 55014-1:2017,
EN 55014-2:2015, EN 61000-3-2:2014, EN 61000-3-3:2013.

The technical documentation required to demonstrate that the product(s) meet(s) the requirement(s) of the aforementioned directive(s) has been compiled and is available for inspection by the relevant enforcement authorities.

The CE mark was first applied in: 2018

Product Description: Electric Quartz Halogen Heater:
Model number(s): Devil 370SPC (2.8 kW / 230V).
Serial / batch Number: N/A
Date of Issue: 30/11/2018

Signed:

J.A. Clarke
Director

A SELECTION FROM THE VAST RANGE OF

Clarke®

QUALITY PRODUCTS

AIR COMPRESSORS

From DIY to industrial, Plus air tools, spray guns and accessories.

GENERATORS

Prime duty or emergency standby for business, home and leisure.

POWER WASHERS

Hot and cold, electric and engine driven - we have what you need

WELDERS

Mig, Arc, Tig and Spot. From DIY to auto/industrial.

METALWORKING

Drills, grinders and saws for DIY and professional use.

WOODWORKING

Saws, sanders, lathes, mortisers and dust extraction.

HYDRAULICS

Cranes, body repair kits, transmission jacks for all types of workshop use.

WATER PUMPS

Submersible, electric and engine driven for DIY, agriculture and industry.

POWERTOOLS

Angle grinders, cordless drill sets, saws and sanders.

STARTERS/CHARGERS

All sizes for car and commercial use.



PARTS & SERVICE: 0208 988 7400

E-mail: Parts@clarkeinternational.com or Service@clarkeinternational.com

SALES: UK 01992 565333 or Export 00 44 (0)1992 565335

Clarke® INTERNATIONAL Hemnall Street, Epping, Essex CM16 4LG
www.clarkeinternational.com